

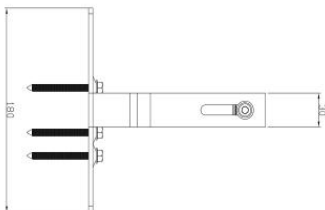
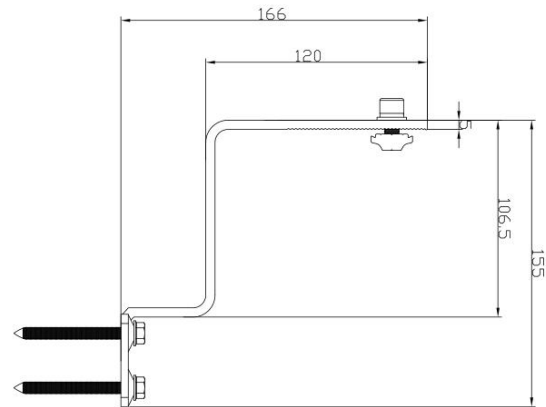
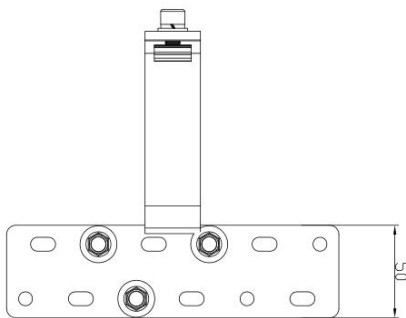
Hook for Roman Tile Roof



FEATURES

1. Material: Stainless Steel (SUS304)
2. Surface Finish: Sandblast
3. Weight: 612g/set
4. Screw Material: Stainless Steel (SUS410)

OVERALL DIMENSIONS






Component List	Qty./Set
Tile Hook #1	1
SUS410 Wood Screw (M6.3*65)	1
SUS304 M8 Washer Set	2
T Nut	1
Hexagon Bolt Set (M8*25)	1

INSTALLATION



Components

Picture	Item No	Description	Material
	GM-R56	Rail (Lengths Available 4.2m, 2.1m and etc.)	Anodized AL6005-T5
	GM-RS-51-AZ	150mm Earthing Rail Joiner with M8X25 Bolts and Star Washers	AL6005-T5 SUS304
	GM-CTH-01-AZ-02	Tile Hook with SUS410 6.3X65 Wood Screw	AL6005-T5 SUS410
	GM-MC-35(40)-AZ	35/40mm Middle Clamp *Other Options Available from 30 to 50m	AL6005-T5 SUS304
	GM-EC-35(40)-AZ	35/40mm End Clamp	AL6005-T5 SUS304

Picture	Item No	Description	Material
	GM-EK-AZ	Grounding Lug	SUS304
	GM-E-EL-12	Earthing Clip	SUS304
	GM-XJ-AZ	Panel wire clip	SUS304
	GM-BN-25-AZ	T bolt set	SUS304

Appendixes & Certification

- ✓ Goomax Tile Roof Mounting System Installation Manual
 - ✓ ASNZ 1170.2 Certification for Roof Mount PV Array Systems-Tile Roof
- *These Engineering Certificates contain important installation requirements. Please obtain from the local distributor.*

Manufacturer Information

Xiamen Goomax Energy Technology Co., Ltd.

Add: #905, Jordan Building, High - tech Park, Huli District, Xiamen China

Web: www.goomaxsolar.com Email: sales31@goomaxsolar.com

Tel: +86 - 592 - 2938661

Fax: +86 - 592 - 2938662